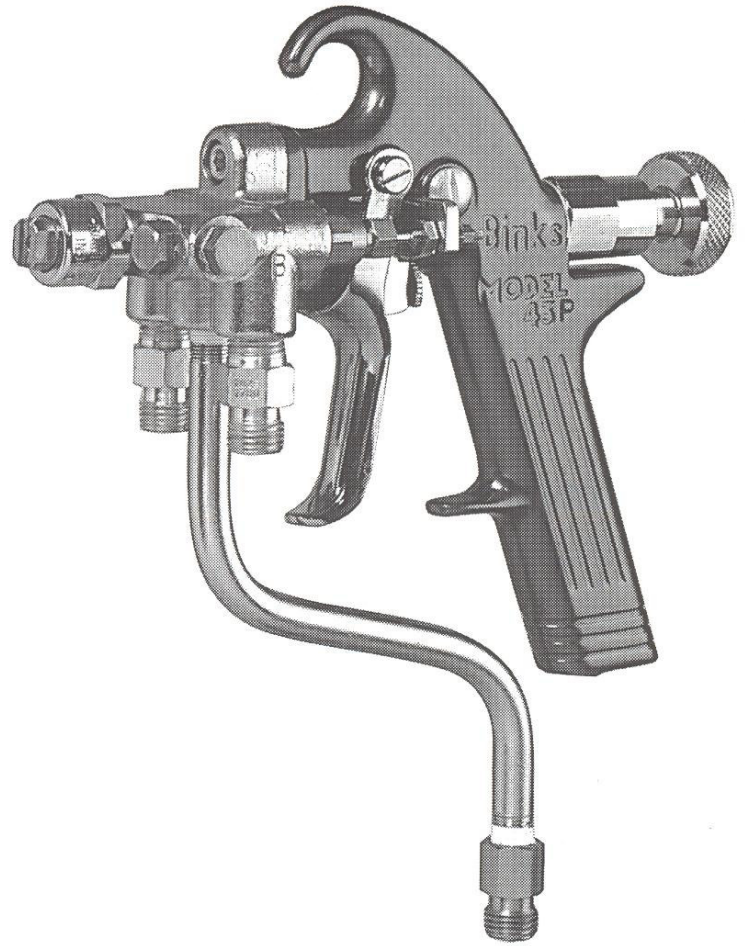


# Binks 43P Airless Spray Gun

Binks 43P Series Hydraulic Atomization Guns are specially designed for spraying low to medium viscosity plural component materials. Their unique internal mixing feature utilizes fluid pressure and fluid impingement to achieve the violent turbulence necessary for intimate mixing of the resins. By virtue of internal mixing, the resins do not encounter air until, thoroughly mixed, they are sprayed from the gun nozzle. 43P Series Guns are extremely versatile and their extra features provide the operator with greater control over spraying applications than was formerly possible.

***These features include:***

- Resin inlets with spring loaded check valves
- Separate inlet for solvent purge
- Solvent purge control
- Externally removable impingement orifices
- Ball type needle fluid valves
- Gun head clean-out ports
- Interchangeable spray tips
- Trigger safety lock
- Stainless steel head, aluminum body
- Various pour/atomizing adapters available
- Interchangeable orifice sizes for off-ratio materials.



# 43P

# Airless

Plural Component Spray Guns

### Model 43P Spray Gun

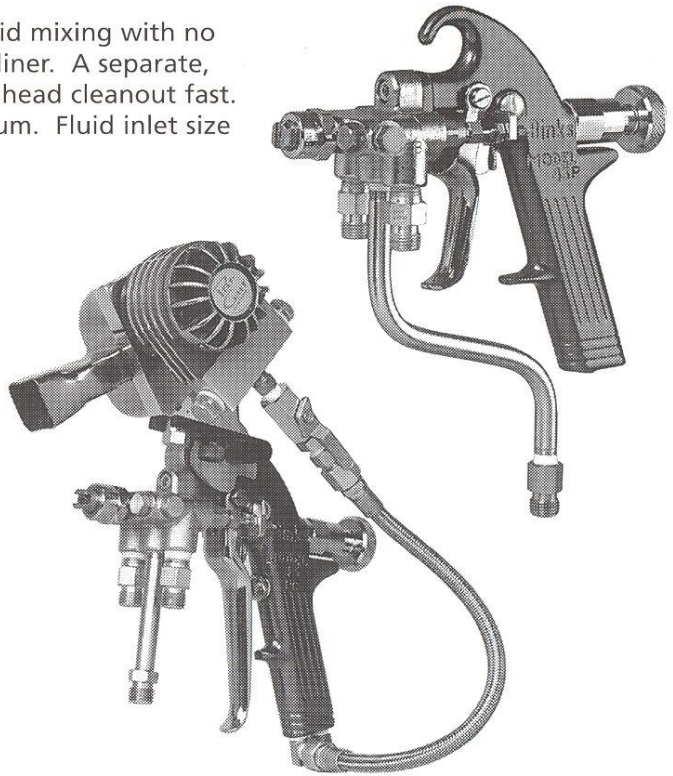
This model has an internal impingement method of fluid mixing with no moving parts. Mixing chamber has replaceable Teflon liner. A separate, independent solvent flush valve and control make gun head cleanout fast. Gun head is stainless steel, body is drop-forged aluminum. Fluid inlet size 1/4 NPT(m), Solvent inlet 1/4 NPT(m).  
Ref. part sheet 1722.

### Model 43PHV Spray Gun

Same as Model 43P Spray Gun except has greater output.

### Model 43PC Spray Gun

Same as Model 43P Spray Gun except has an air valve in handle for adapting a chopper or atomizing air attachment.  
Ref. part sheet 2428.

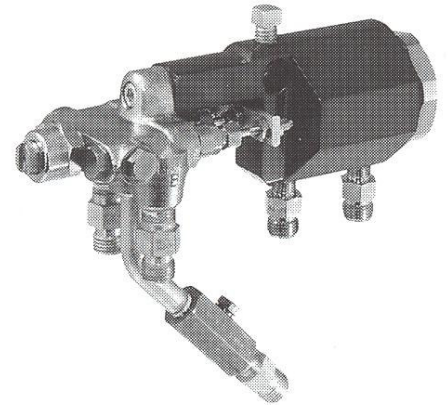


### Model 43PA Spray Gun Automatic

An air-operated piston controls the triggering of this two-component automatic gun for both resin flow and solvent flush of the mixing chamber. Except for its automatic application, the construction, and range of materials and viscosity for this gun is similar to Model 43P.  
Ref. part sheet 2065.

### Model 43PAHV Spray Gun Automatic

Sames as Model 43PA Spray Gun except has greater output.



Sales and Service Through a Nationwide Network of Industrial Distributors.

**Customer Service in USA / 1-800-992-4657**  
**Technical Support in USA / 1-888-992-4657**

**BINKS**  
195 Internationale Blvd.  
Glendale Heights, IL 60139

Your Binks Contact:

*Specifications are subject to change. Contact Binks for information on the latest specifications.*

Bulletin No. A101-60R Printed in the U.S.A. 8/98